

# IEEE 1914 NGFI P1914.1 TF Closing Report

TF Chair: Bomin Li, Oticon

WG Chair: Jinri Huang, China Mobile

September 20, 2018

Redmond, Washington, USA



# Overview

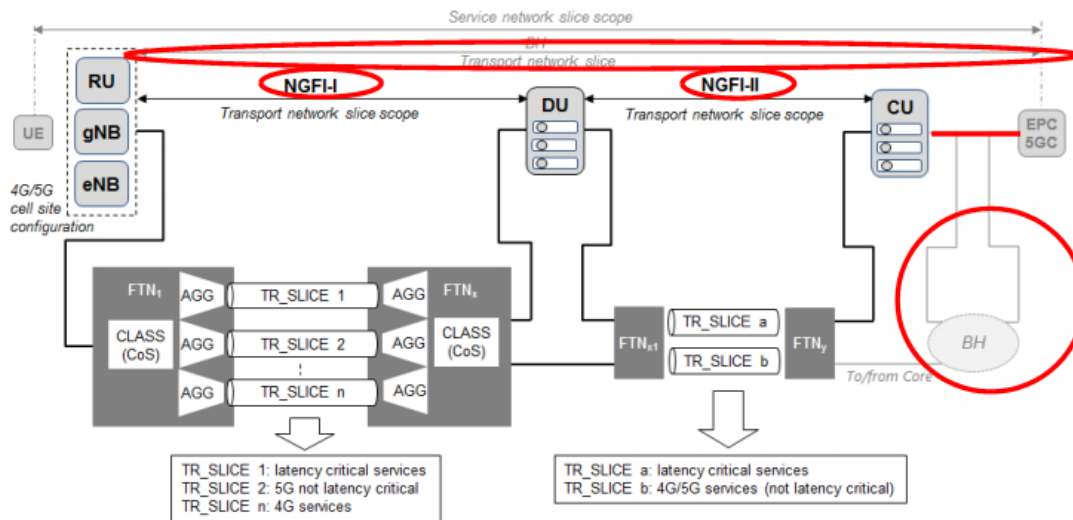
- ❑ Three technical contributions to support submitted comments
- ❑ D2.0 Comment resolution
  - Total technical comments: 150
  - Implemented: 17
  - Resolved: 80
  - Withdrawn: 1
  - N/A: 4
  - Rejected: 4
  - Open: 44

# notes

- Note for NW slicing

Agree to extend Annex D with the content proposed in [P1914.1-D2.0-Proposed-contents-for-additional-Annex-on-Network-slicing.pdf](#), with the below changes:

- Remove as circled in the red below in figure 1



- Apply same changes to figure 2
- change from "service provider" to "mobile operator" in figure 2
- Figure 3 not included
- Switch the existing order of agnostic and awareness mode in Appendix D, the place the two new figures and related text after the awareness mode
- Editor has the license to decide on the replacement of per-service/per-user

# notes

- Note for recovery time

The maximum allowed recovery time for NGFI-I networks shall be 50 ms.

A faster recovery time requirement for NGFI-I is for further evaluation and analysis.

The maximum allowed recovery time for NGFI-II networks shall be 50 ms.

# notes

- Note for node interface rate

A node in NGFI-I or NGFI-II transport networks should support at least one of the following typical interface rates (e.g. 25GE, 100GE):

- 10G
- 25G
- 40G
- 100G
- 200G
- 400G

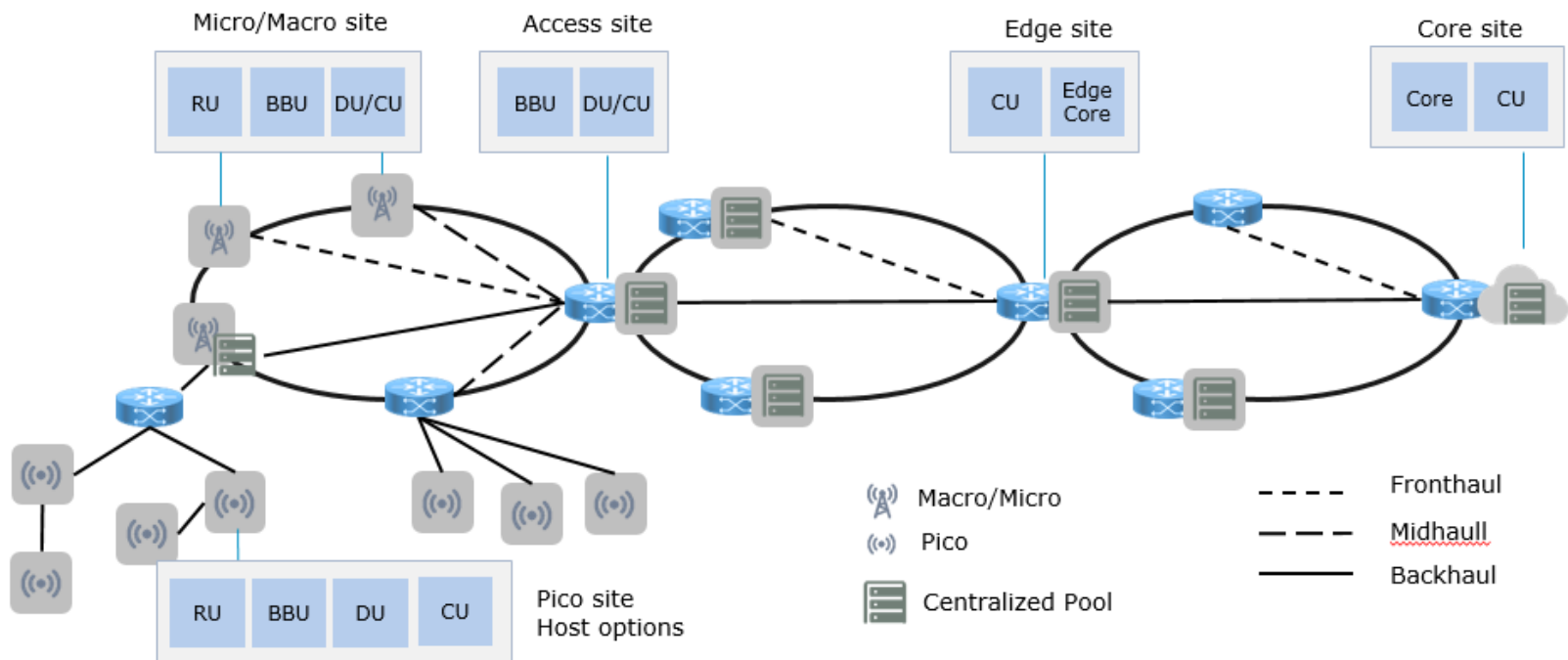
# Notes for Annexes in general

- ❑ Annex A:
  - change "PICS" to "NGFI conformance statement"
  - update the description from operator's perspective
- ❑ Annex B:
  - B.2 p91 change "amount" to "number"
- ❑ Annex E:
  - Anritsu and AT&T will further study the topic
  - Decide on 2018/10/20:
    1. remove this annex
    2. add a linkage in the main body to this annex
    3. add a link in the main body to external document
- ❑ Annex F:
  - Keep the content
  - Check with IEEE the citation of figures from other standards
  - Update the example with a link to the excel
  - The excel needs to be uploaded to IEEE website – check with MTI
  - Add in the excel an example (can be copied from the text in D2.0)
- ❑ Annex G:
  - delete
- ❑ Annex K:
  - Delete, link to this annex needs to be updated. Will discuss in comment resolution whether MACSec should be mentioned or not

# Notes for 6.2

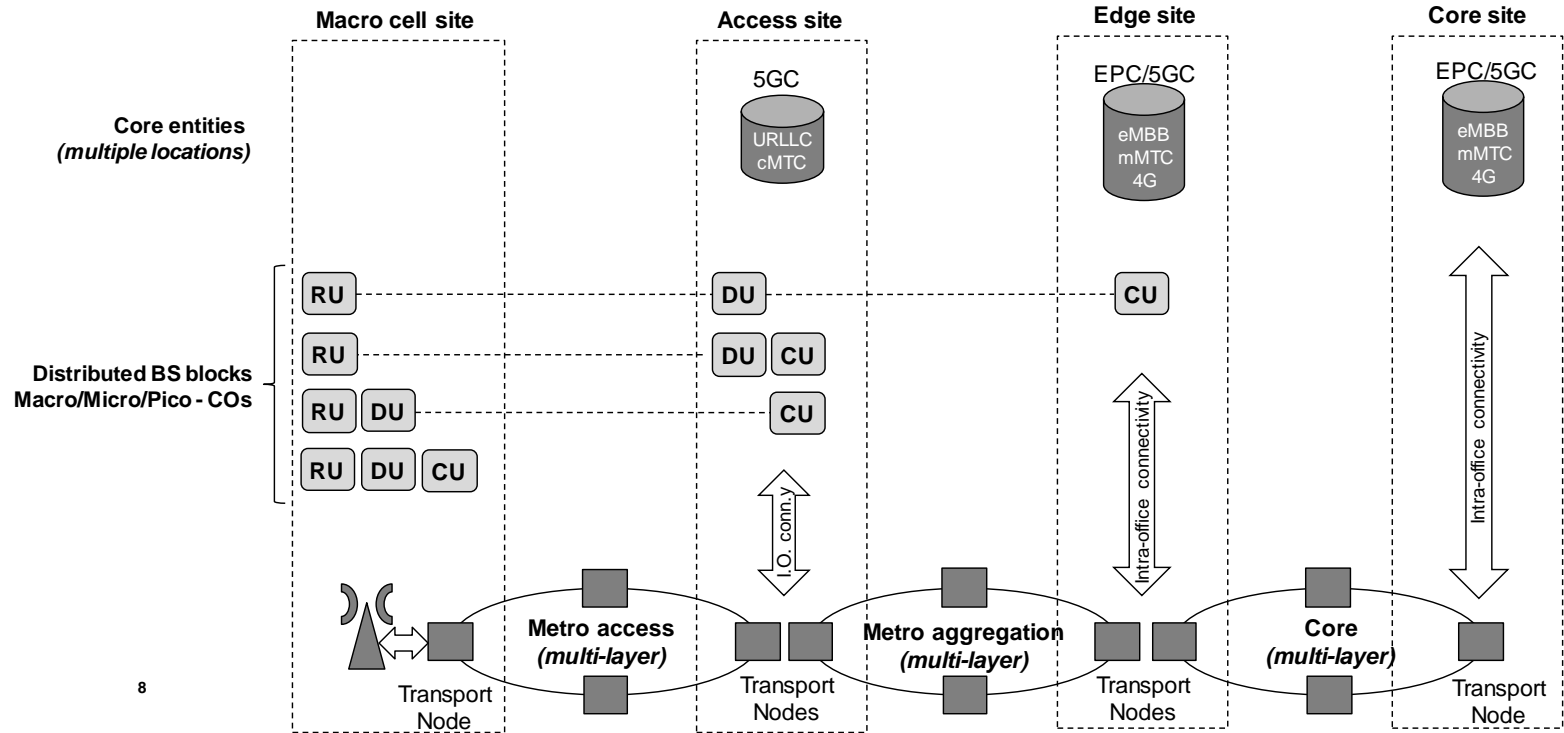
- 6.2:
  - Remove figure 4, update figure 2 and 3, revise the text
  - Change figure 2 to

## Proposed update on Figure 2



# Notes for 6.2

- change figure 3 to



8

- ❖ 4G services (legacy) / 5G services (eMBB, URLLC/cMTC, mMTC) transport network
- ❖ Mobile and transport elements at each geographical site (e.g., macro cell site, Access Cloud CO,<sup>8</sup>etc.)

Insert Title here

Insert Date here

8



# Motions

## ❑ Motion #4

Editor has the license to implement the changes as described in notes in .1 TF closing report and tf1\_1809\_D2\_0\_comment\_resolution\_1.xlsm. Editor has license to make further editorial changes. Editor will release D2.1 after implementing these changes.

Mover: Abdellah Tazi

Secunder: Lujing Cai

Y: 9

N: 0

A: 0

Motion passed.

# Next steps

- ❑ Weekly teleconference before next WG ballot(Thursday)
- ❑ Next ballot Target
  - New WG ballot
  - 30 days period starting end of October